

POLE GUARD



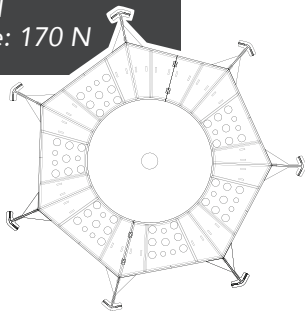
PROTECT OVERHEAD LINES & SUBSTATIONS

From squirrels, rats, rodents, snakes, sloths, and even monkeys.

Manufactured with durable, weather resistant copolymer, this is the animal prevention **STANDARD** for many utilities. Pole Guard prevents ground access to transformers and other critical pole-mounted equipment by rodents, snakes, and many other critters. This innovative design creates a **MISSION IMPASSIBLE** for crawling animals. No need to depower equipment to install, and doesn't require linemen to remove it to get normal access to equipment. Mounting options for all types of poles.

CG POLE GUARD PLATE

Volume: 340 CC
Weight: 480 G
Weight with 1/2" Ice: 1400 G
Wind Loads: 32 N
Wind Loads with 1/2" Ice: 170 N

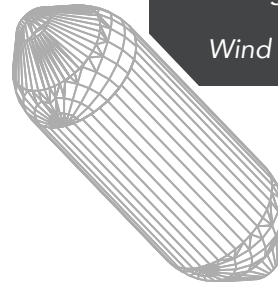


Material.....Acrylonitrile Styrene Acrylate (ASA)
Manufacturing Process.....Injection Molded
Color.....Utility Grey
Dimensions.....Two Halves: 30"x16"x1/8" w/ Reinforced Ribs
Specific Gravity.....1.41
Tensile Strength.....9500 psi
Dielectric Strength.....610 V/mil (76.3 KV)
Arc Resistance.....240
Decomposition Temp.....335° F

CG POLE GUARD ROLLER

Material.....Polypropylene w/ U.V. Resistance Additive
Manufacturing Process.....Injection Molded
Color.....Utility Grey
Dimensions.....4" Diameter x 12" Long x .08" Thick
Specific Gravity.....0.905
Tensile Strength.....3000 psi
Dielectric Strength.....660 V/mil (52.3 KV)
Arc Resistance.....160
Decomposition Temp.....650° F

Volume: 91.8 CC
Weight: 83.5 G
Weight with 1/2" Ice: 140.4 G
Wind Loads: 207 N
Wind Loads with 1/2" Ice: 348 N



ISO 9000 Accredited Manufacturing

Critter Guard products are independently tested for zero impact on overhead lines and conductors

CONTACT US TODAY

www.CritterGuard.org | 573-256-2110 | Sales@CritterGuard.org | www.Facebook.com/CritterGuard

For individual components & kit options, visit www.CritterGuard.org/shop

For use cases, visit www.CritterGuard.org/lg-uses